



13339 NE AIRPORT WAY  
SUITE 400  
PORTLAND, OR 97230  
1-866-375-0727

WWW.SPEEDYMOTO.COM

purveyors  
of fine  
speed metal

## Installation Instructions

### 10-0301 - 10-0302 Triumph Front Axle Slider kit

#### Parts included

1. Two stainless steel M8 bolts (35mm and 60mm), and two washers (in bag with threadlocker)
2. One orange aluminum axle rod (with one fat end and one skinny end)
3. Two UHMW pucks, one left and one right (depending on bike model)

#### Tools required

1. 5mm Allen wrench
2. About 5min. of your time

#### Installation

NOTE: DO NOT loosen the pinch bolts on fork before or during or after axler slider installation, make sure front wheel does not bind but spins freely after axle slider installation!

1. Attach slider puck to the "fat" end of the axle rod using 35mm bolt and a drop of the supplied threadlocker, one (1) washer.
2. Insert rod through axle, fasten second slider puck to the "skinny" end of the rod using the 60mm bolt (1) washer and threadlocker
3. Tighten axle slider bolts to 10ft lbs. (14 Nm)
4. Go ride, and tell all your friends about SpeedyMoto!



13339 NE AIRPORT WAY  
SUITE 400  
PORTLAND, OR 97230  
1-866-375-0727

WWW.SPEEDYMOTO.COM

purveyors  
of fine  
speed metal

## Installation Instructions

### 10-0301 - 10-0302 Triumph Front Axle Slider kit

#### Parts included

1. Two stainless steel M8 bolts (35mm and 60mm), and two washers (in bag with threadlocker)
2. One orange aluminum axle rod (with one fat end and one skinny end)
3. Two UHMW pucks, one left and one right (depending on bike model)

#### Tools required

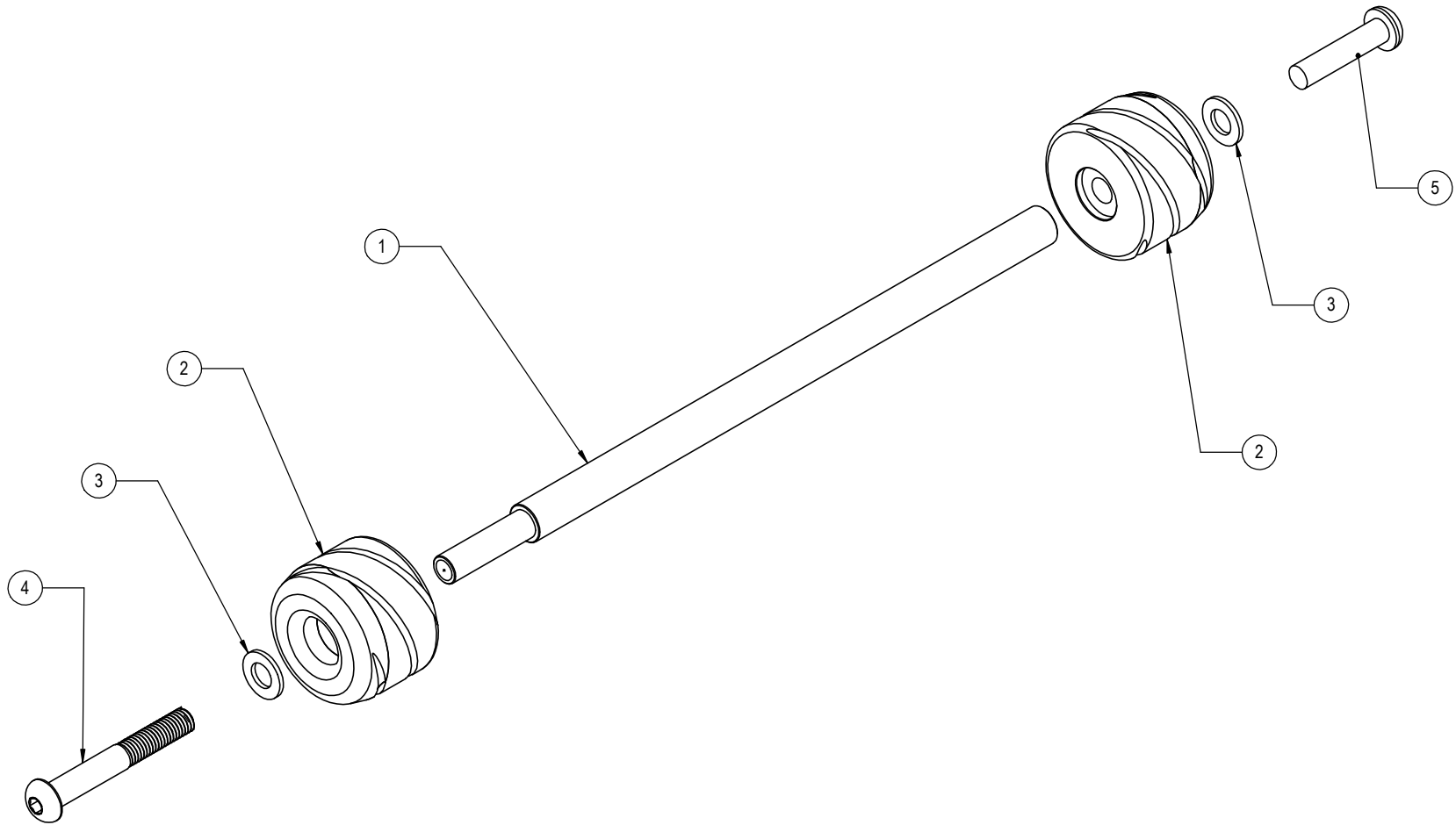
1. 5mm Allen wrench
2. About 5min. of your time

#### Installation

NOTE: DO NOT loosen the pinch bolts on fork before or during or after axler slider installation, make sure front wheel does not bind but spins freely after axle slider installation!

1. Attach slider puck to the "fat" end of the axle rod using 35mm bolt and a drop of the supplied threadlocker, one (1) washer.
2. Insert rod through axle, fasten second slider puck to the "skinny" end of the rod using the 60mm bolt (1) washer and threadlocker
3. Tighten axle slider bolts to 10ft lbs. (14 Nm)
4. Go ride, and tell all your friends about SpeedyMoto!

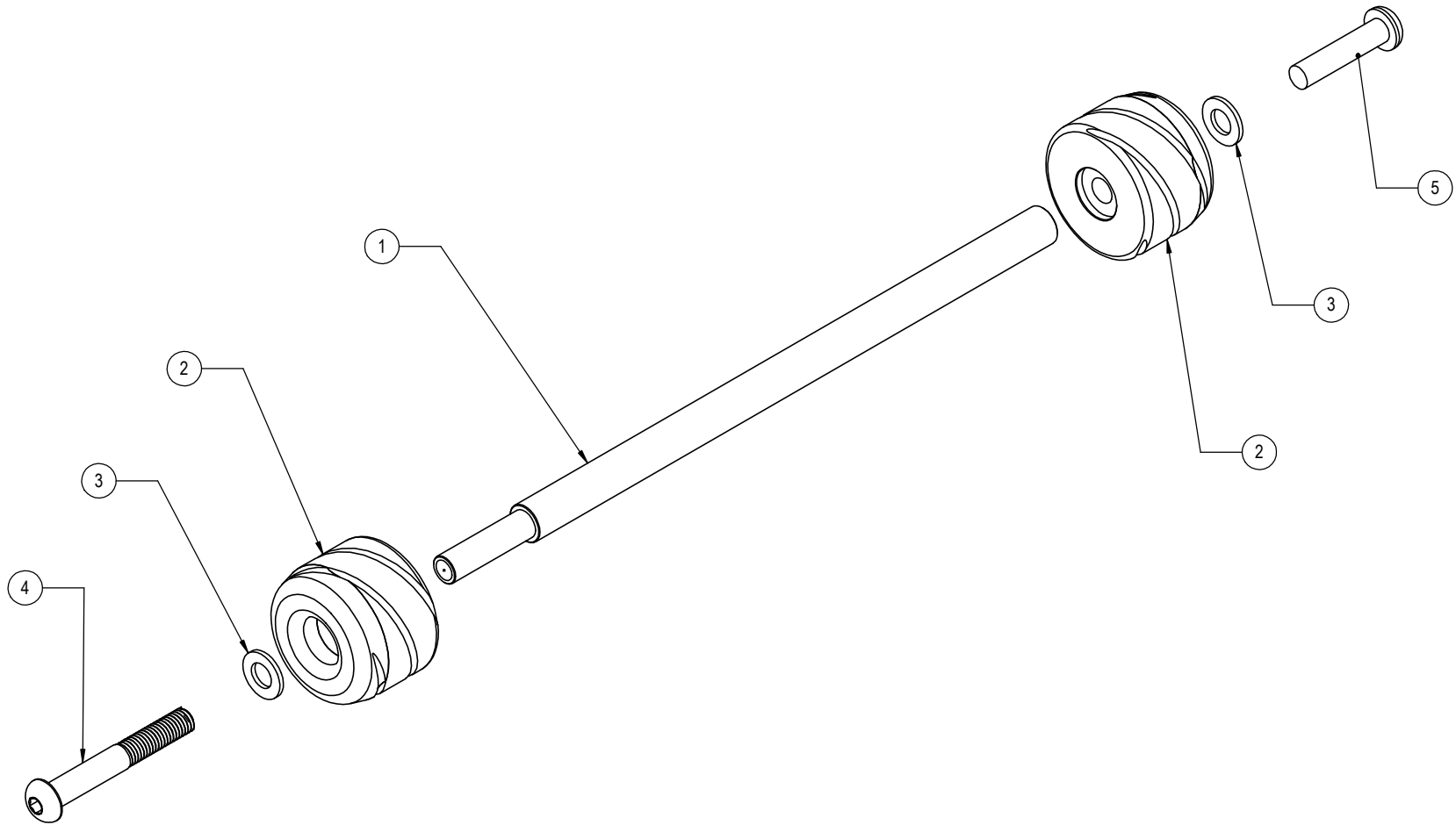
ITEM NO.	PART NUMBER	DESCRIPTION	QTY.
1	RP-10-0018 RP-10-0019	ROD	1
2	RP-10-0020	PUCK	2
3	M8 WASHER	WASHER	2
4	M8 x 1.25 x 60	LONG BOLT	1
5	M8 X 1.25 X 35	SHORT BOLT	1



**10-0301 / 10-0302**

7/13/2012

ITEM NO.	PART NUMBER	DESCRIPTION	QTY.
1	RP-10-0018 RP-10-0019	ROD	1
2	RP-10-0020	PUCK	2
3	M8 WASHER	WASHER	2
4	M8 x 1.25 x 60	LONG BOLT	1
5	M8 X 1.25 X 35	SHORT BOLT	1



**10-0301 / 10-0302**

7/13/2012