

Installation Instructions

08-0053/08-0050 Speedymoto Clip-ons

Parts included

1. Left and right clip-on.
2. Two adjustable bars
3. Two M6X12 Button Head bolts
4. Four M6X16 Tapered head bolts
5. Four M6X25 Tapered head bolts
6. Two L Shaped Reservoir Brackets
7. One packet of threadlocker

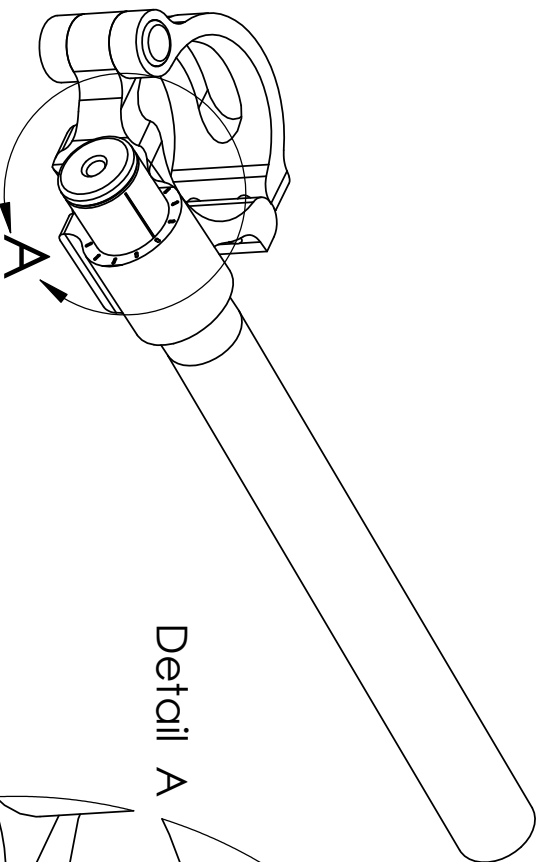
Tools required

1. 5mm Allen wrench
2. 6mm Allen wrench
3. Torque wrench

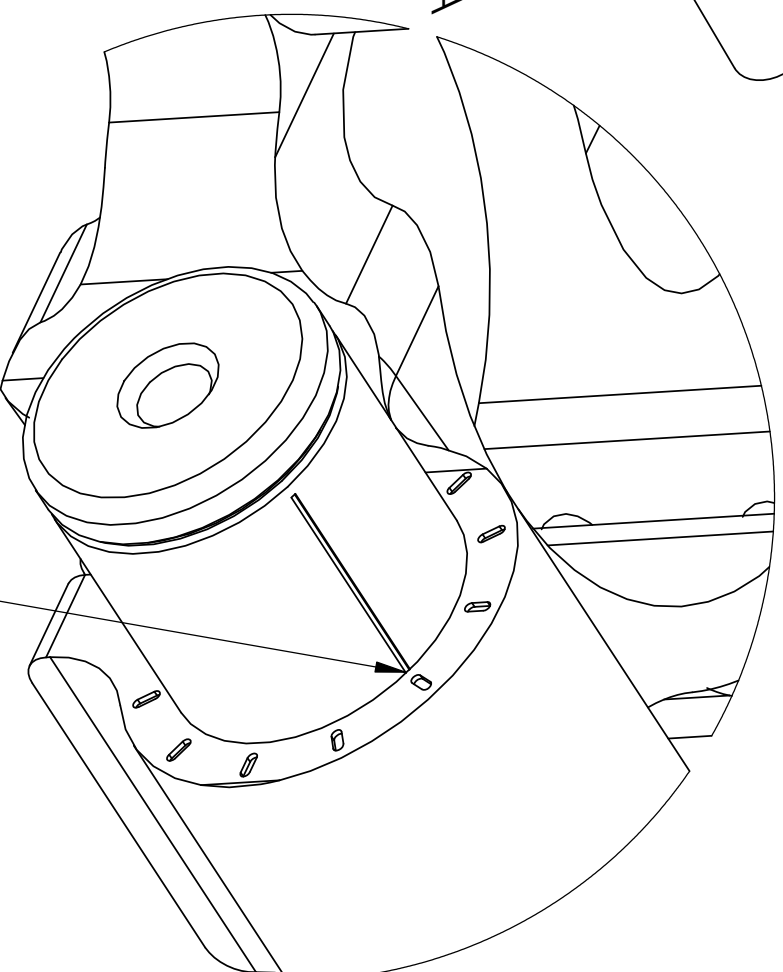
Installation

1. Loosen the upper triple clamps pinch bolts and Remove upper triple.
2. Loosen clip-ons pinch bolts and lift stock clip-ons from forks. (pay attention to how the cables and lines are routed for easy re-installation)
3. Carefully remove controls/grips/master cylinders. (remove clutch side grip using compressed air if you have it)
4. Install new clip-ons onto forks, without the bars but don't torque yet.
5. Re-Install top triple and torque bolts to factory recommended specs.
6. Slide controls onto loose bars first, then slide bars into the clip-ons.
7. Now make all the adjustments you can to clip-ons, fit but don't tighten bars, master cylinders and controls, check for clearance with cables, tank ,fairing and fingers.
8. After you are comfortable with the position, use a Sharpie marker to mark where everything is and note the degree marks provided on the clip-ons.
9. Now that everything is marked you can take the bars apart and drill locator holes in the bars for the controls pins. (Look at the locator holes in the stock clip-ons for guidance.)
10. After drilling and final adjustment tighten everything up double check clearance and use thread locker. Torque pinch bolts to 7.5 N-m (6.0 ft-lbs).
11. Go ride, and tell your friends about SpeedyMoto!

Instructions for setting Bar Angle



Detail A



To correctly match bar angle on right and left sides of bike
line Up Slash Mark on the bar
with Indicator Engraving on Clip-On Clamp